

1 T835/836/837 Installation

1.1 Rack Mounting

The T835 receiver, T836 transmitter and T837 exciter are designed for use in a standard 483mm rack frame using a Tait T800 Series guide which locates and mates the rear D-range connectors (refer to Figure 1.1, Figure 1.2 and Figure 1.3).

A T800 Series guide is supplied with each unit. The guide is located in the rack frame with four screws, two at the rear and two at the front, and the T800 unit is secured into the guide with two front panel mounting screws.

A rear mounted N-type connector is used for RF input on the T835 receiver and RF output on the T836 transmitter, while the exciter RF output is via the front panel SMC connector. All DC, audio and control connections are via the rear mounted D-range connector. An additional rear D-range connector (T800-03) is fitted when remote multichannel operation, or additional control or low frequency lines are required.

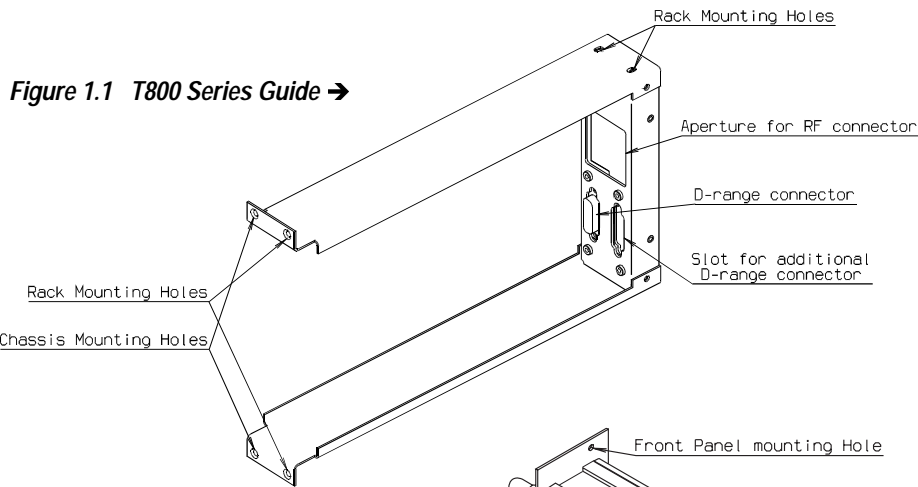
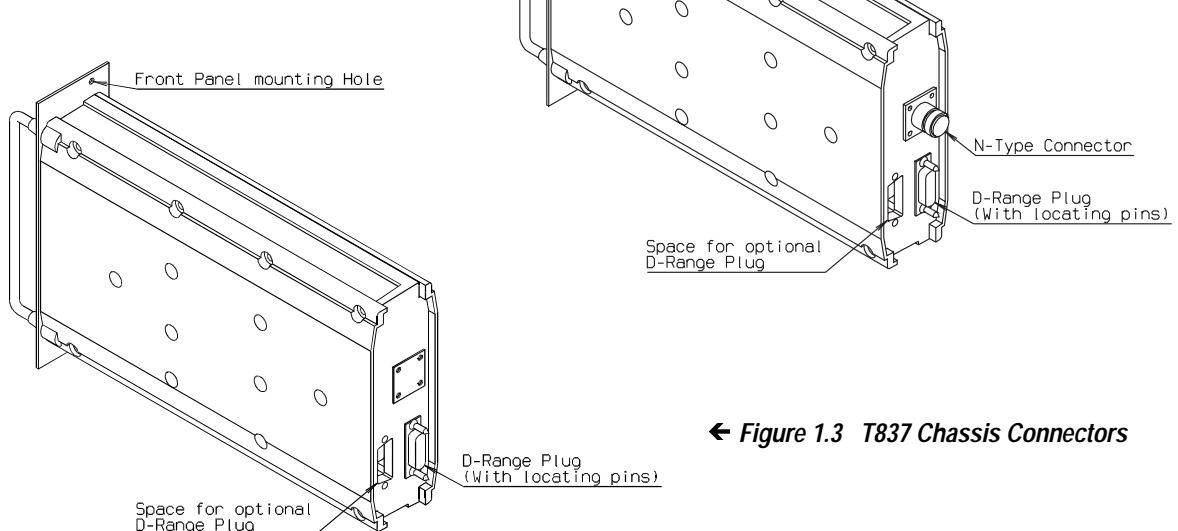


Figure 1.2 T835/836 Chassis Connectors →



← Figure 1.3 T837 Chassis Connectors

1.2 Rack Wiring

Wire the D-range connector as shown in Figure 1.4 or Figure 1.5. Ensure that the cables are not subjected to any stresses due to tight bends or incorrect lengths.

The RF coaxial cable to the N-type connector should be free from acute bends or twists. If access to the rear of the rack frame is restricted, the cable should be long enough to permit full withdrawal of the chassis from the guide.

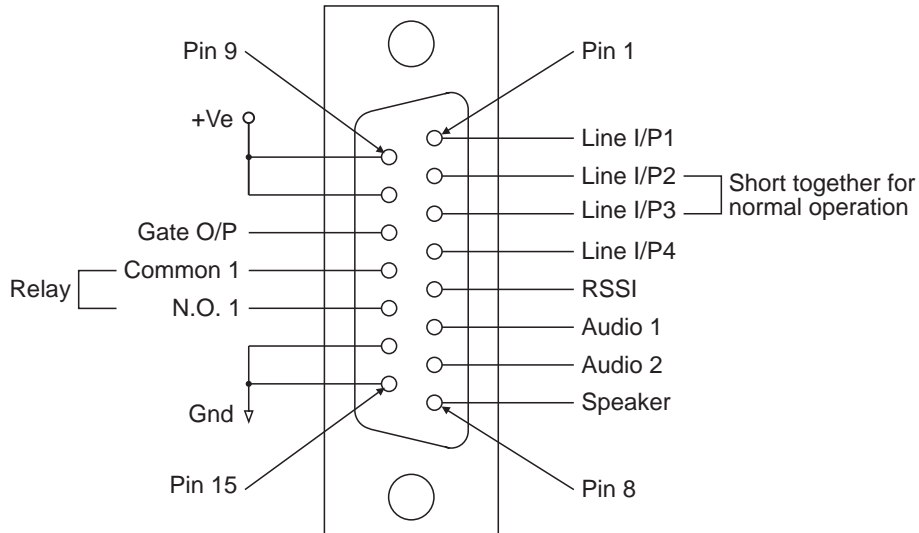


Figure 1.4 T835 D-Range Wiring - Rear View

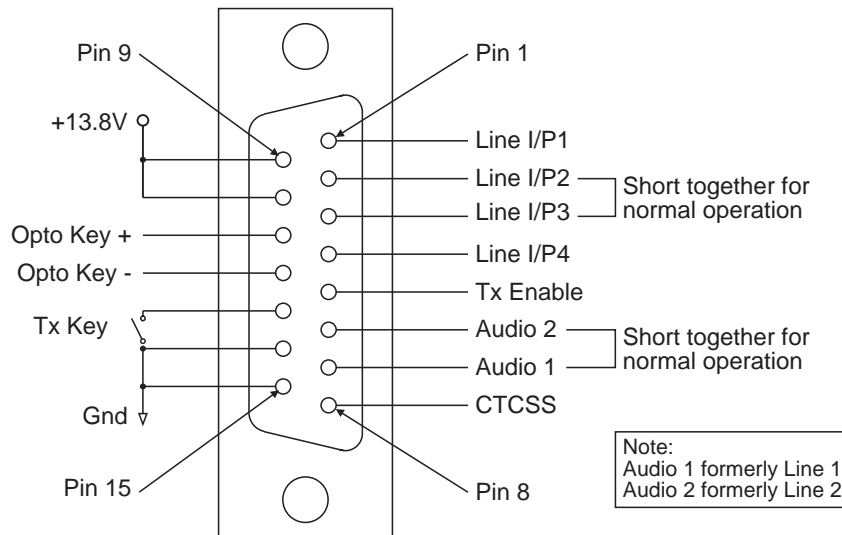


Figure 1.5 T836/837 D-Range Wiring - Rear View

1.3 Power Supply

If a power supply other than an appropriate Tait model is used, ensure that it is capable of providing enough current to drive the T800 system and is also free from excessive ripple or noise.

The system should be protected by the use of appropriately rated fuses in the power supply.

Note: It is particularly important when the prime power source is a battery that fuses be employed in all supply lines.

1.4 Reverse Polarity Protection

A shunt diode is fitted to all T835 receivers, T836 transmitters and T837 exciters for protection against connection to a power supply of incorrect polarity.

Note: A fuse must be fitted in the power supply line for the diode to provide effective protection.

